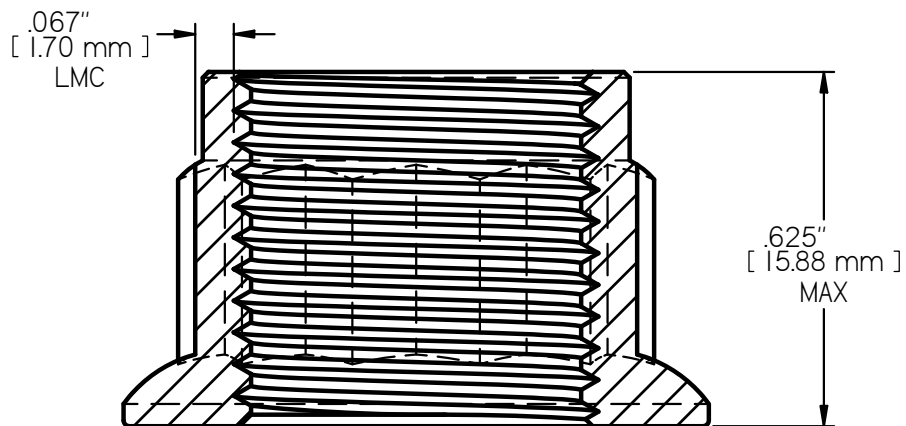
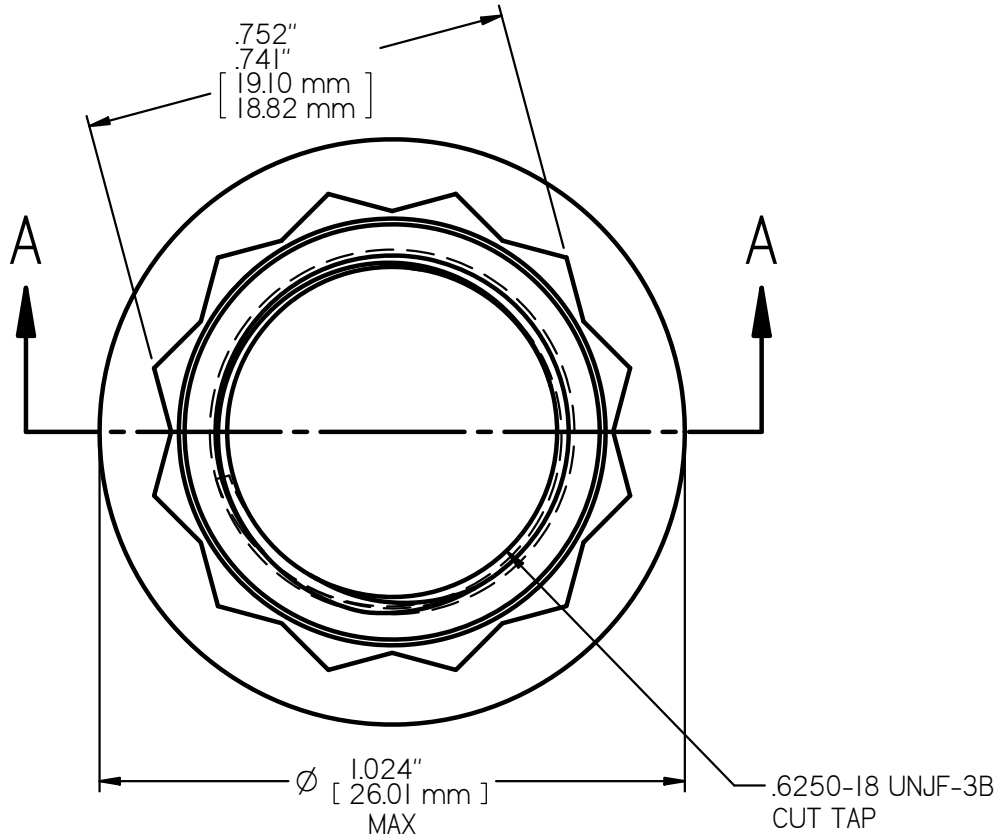


LEAST MATERIAL CONDITION



SECTION A-A
3X SCALE

NAS1804-10 LOCK NUT
AXIAL STRENGTH: 49,100 LBS. [218,408 N.] MIN